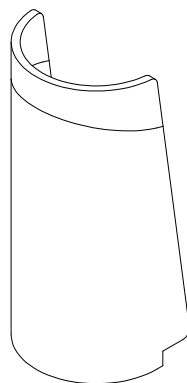


Axellent Assembly instructions

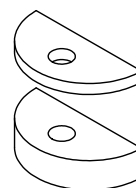
» Shock Absorbing Rack Guard

M086-025-012 (120x245mm, 1x18mm fixing)
M086-040-012 (120x400mm, 1x18mm fixing)
M086-040-015 (150x400mm, 2x16mm fixings)

Components



Rack Guard



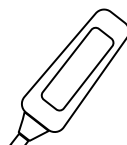
Steel Washer &
Rubber Damper



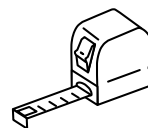
Concrete
Anchors

*Some components included within "M" bundles.

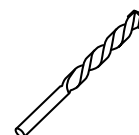
Tools required



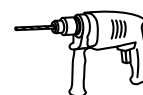
Marker



Tape
Measure



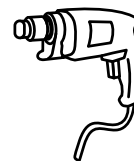
14mm/16mm
Drill Bit



Rotary
Hammer



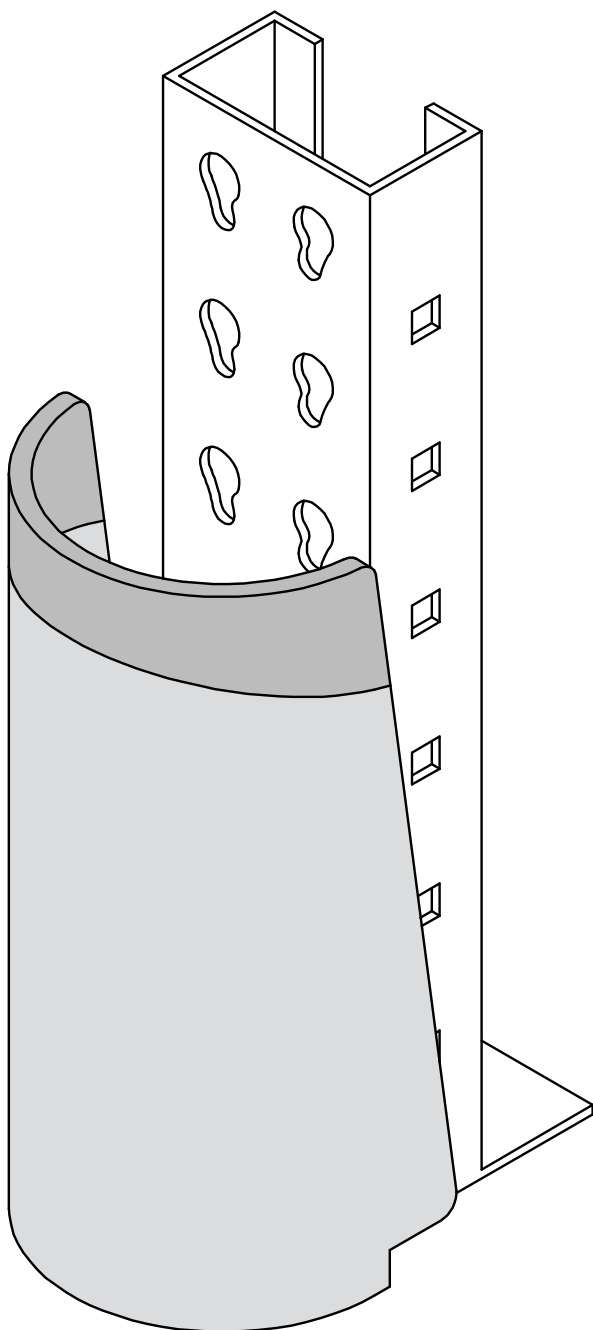
24mm/27mm
Sockets



Impact
Wrench

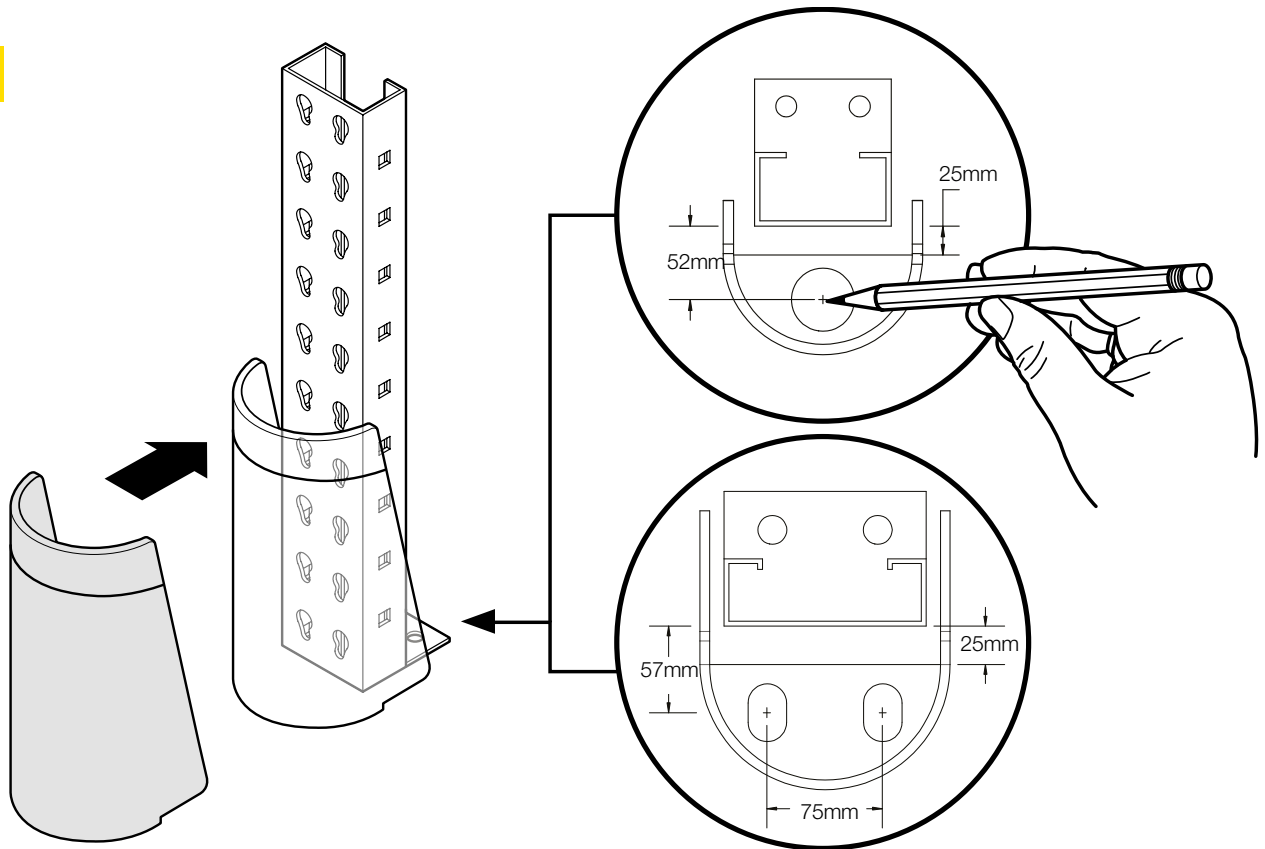


Vacuum

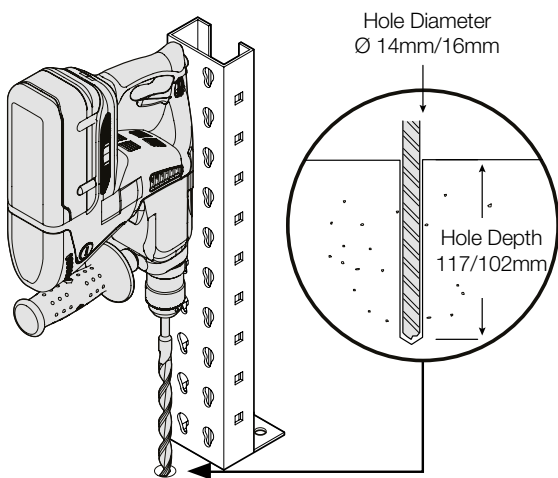


Axelent Assembly instructions

1

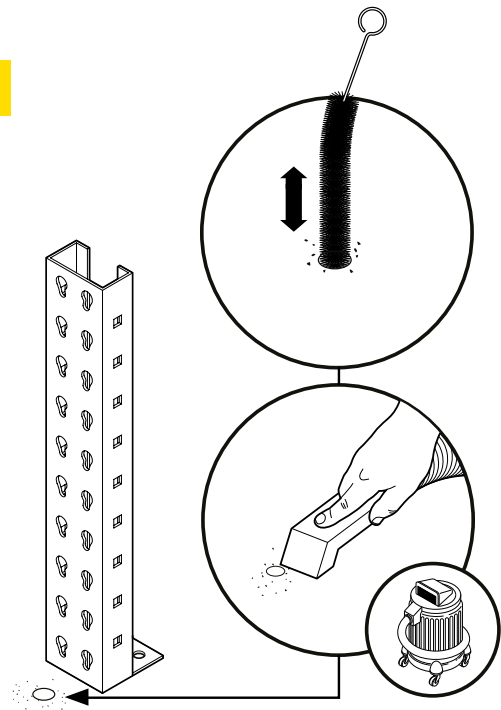


2



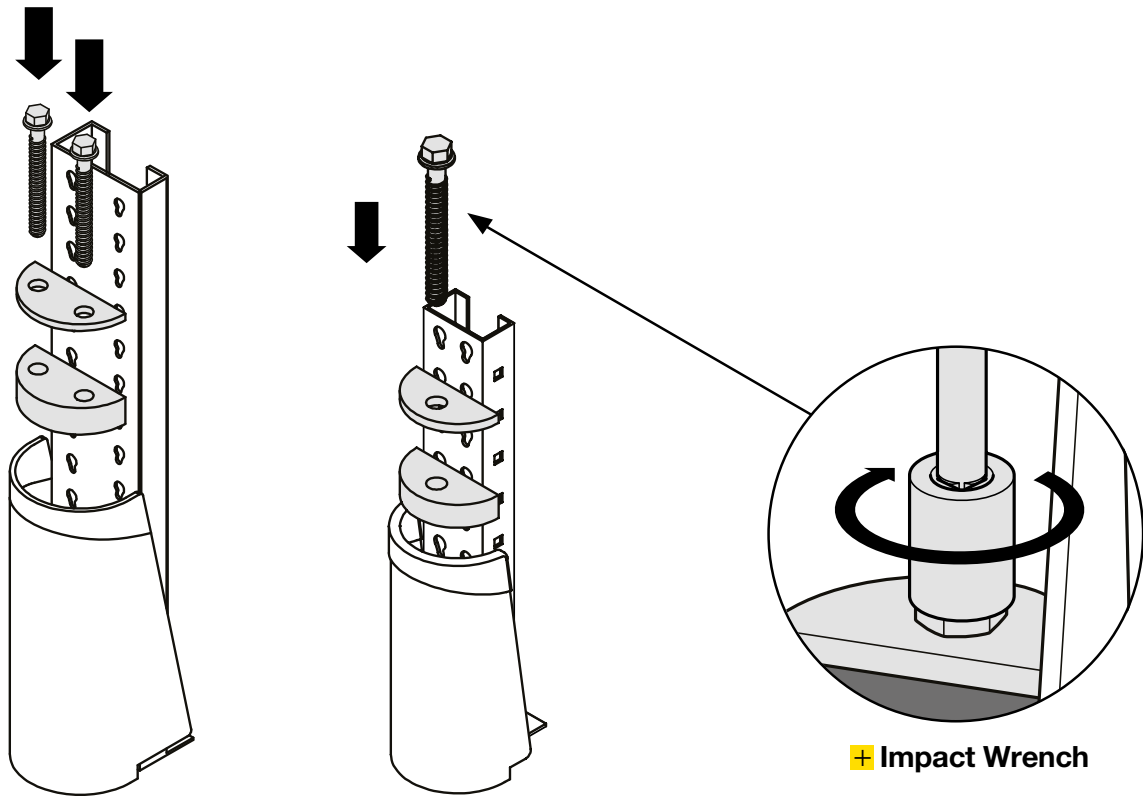
+ Rotary hammer

3



Axelent Assembly instructions

4



5

