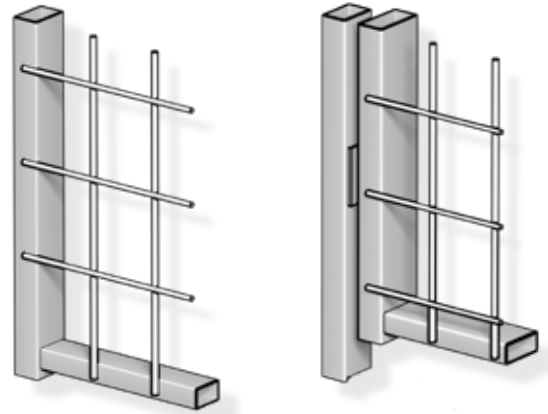


Product information

» Storeroom wall type FK



STOREROOM WALL FK · SCANDINAVIA'S MOST POPULAR

It is in the details that quality comes to the fore. Our FK storeroom system has a heavy duty tubular design for both its doors and walls, which makes the system secure and stable. Try combining FK with partitions from our F-system, the results are often really impressive.

**When you set
high demands
on safety
and stability**



Did you know that ...

- With extra robust tubular construction in both doors and walls.
- Can be combined with F and FP.
- Can be cut to suit existing construction.
- We have the ability to build topsection/roof
- The walls are painted in RAL 9018.
- Accessories, see homepage.

Storeroom wall F, FK+ and FP is available as an option, if you wish, contact customer support for update offer!
All our systems can be combined!

PRODUCT DESCRIPTION - FK

Material & design	Dimensions (mm)
-------------------	-----------------

Tubular steel frame, wall

Vertical tubes	30x20
Horizontal tubes	25x15

Tubular steel frame, door

Vertical tubes	40x20
Horizontal tubes	35x15

Steel mesh

Vertical wires	Ø 5.0
Horizontal wires	Ø 4.0

Dimensions	50x65
------------	-------

Door opening dimensions

40-4225750(1)	2000x710
40-4225900(1)	2000x860